

# Span 400

ACCESS TOWER SYSTEM



# INSTANT

QUALITY & STRENGTH YOU CAN TRUST

# Span 400

## ACCESS TOWER SYSTEM

**Span 400 welded or Rib-Grip premium design is a lightweight, fast and easy to assemble tower system with a rung spacing of 400mm. With fewer components to stock or lose this versatile ladder frame tower can be used to construct simple free standing mobile towers or more complex staging systems with a host of accessories.**

**The new Z-configuration bracing enables quick, trouble free assembly while providing a very rigid structure.**

Available in Single Width of 0.74m and Double Width of 1.37m with lengths of 2m, 2.5m and 3m.

All standard components have an extended 3 year warranty.

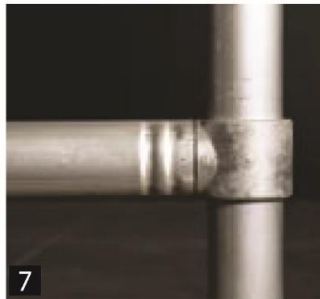
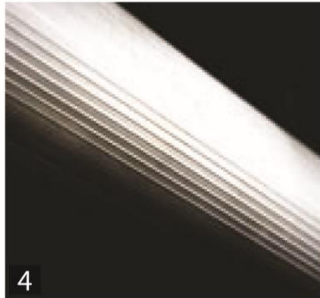
Compliant with EN1004 and Work at Height Directives. Load Class 3.



# INSTANT

QUALITY & STRENGTH YOU CAN TRUST

# Key Features



## 1. Span 400 frame - reversible multi-purpose frames

High-strength lightweight aluminium alloy construction makes components easier to handle. The Span 400 frame is fully interchangeable with all existing parts and means fewer components to stock and control

## 2. Adjustable Leg

A choice of 400mm, 600mm & 800mm height adjustment is provided by Quick-Adjust legs. This provides quick and easy levelling on rough or uneven surfaces. Once loaded they cannot be accidentally released.

## 3. Automatic locking Brace Hooks & Heavy "Rhino-nose"

Hooks snap into locked position without prior 'priming' and an easy-release catch design aids disassembly. The large contact area (over 2250)

## 4. Fluted frame rungs

Provides better grip and increased slip resistance when climbing frames during assembly or once erected.

## 5. TX2000 Platform

The TX2000 lightweight platform is available in standard and trapdoor formats. It provides all-round edge protection. All components can be easily replaced should damage occur.

## 6. Welded joints

Full circumference welding between two parts, creating a structured connection that is stronger than the surrounding material.

## 7. Rib-Grip - cold form joints

The cold-formed Rib-Grip jointing process is a key feature of the instant tower system and provides three times the strength and durability of traditional welded joints.



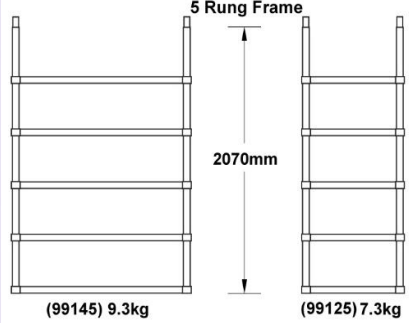
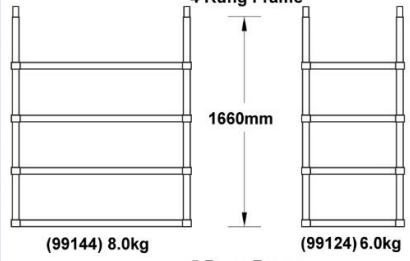
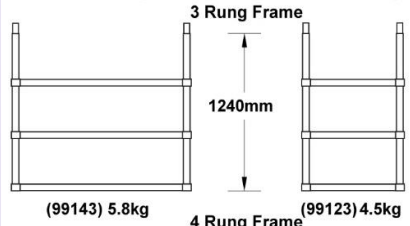
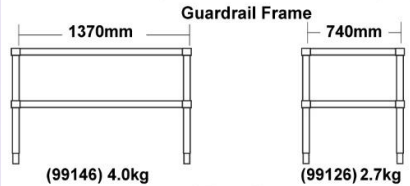
Single Width 0.74m x length 2m with ladder frame



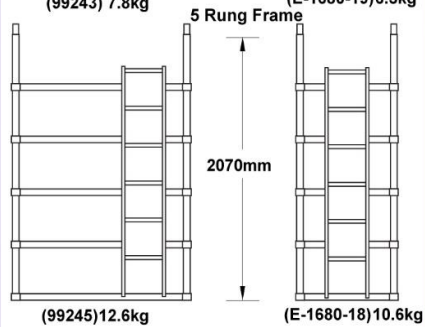
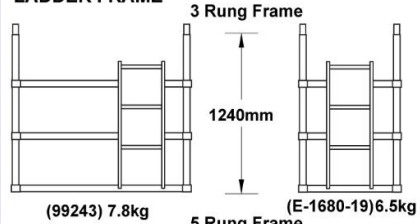
Double Width 1.37m x length 2m with 264P ladder

## FRAME

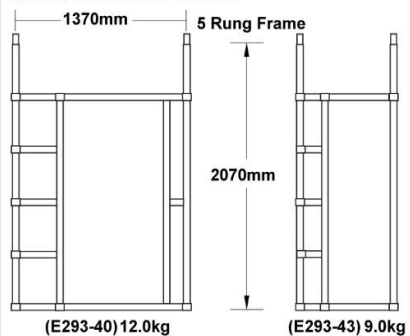
DOUBLE WIDTH (DW) SINGLE WIDTH (SW)



### LADDER FRAME

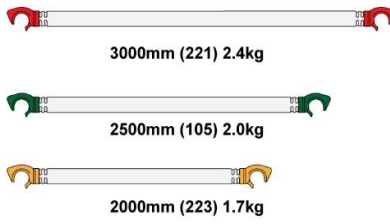


### WALK-THROUGH FRAME

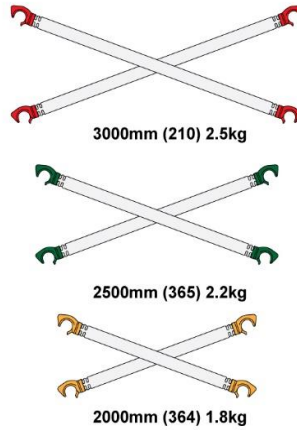


## BRACES

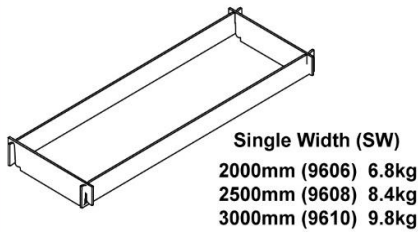
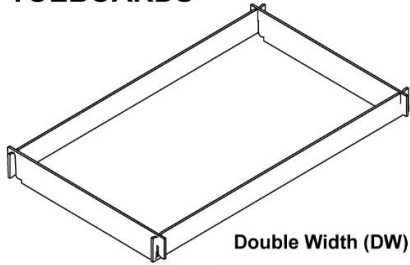
### HORIZONTAL BRACES



### DIAGONAL BRACES

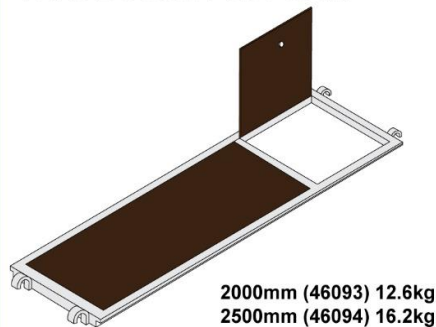


## TOEBOARDS



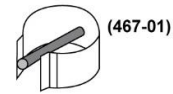
(Material: Wooden or aluminium optional)

## TRAPDOOR PLATFORM

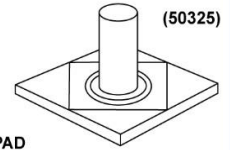
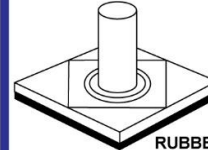
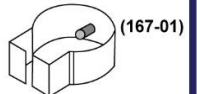


## ACCESSORIES

### INTERLOCK CLIP LONG PIN



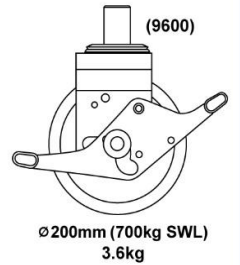
### INTERLOCK CLIP SHORT PIN



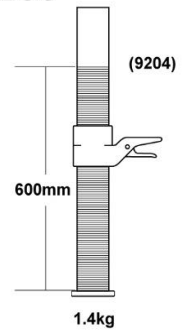
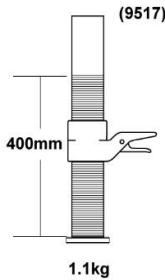
### 360° SWIVEL BASE PLATE RUBBER PAD

### 360° SWIVEL BASE PLATE

## CASTOR

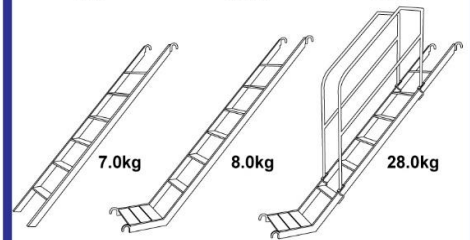


## ADJUSTABLE LEGS



## LADDERS

6 STEP LADDER 264 6 STEP LADDER 264K 6 STEP LADDER 264P



## OUTRIGER

